

Eco/miser DISHWASHER

PROJECT NAME:

LOCATION:

ITEM #:

Qty:

MODEL #

SU-02



FEATURES OF PROGRAMMABLE CONTROLLER

- ⊙ Maximizes washing efficiency and provides a clean environment
- ⊙ Minimum required wash and rinse temperatures (pre-heating 80 minutes)
- ⊙ Built-in electric heater with a powerful rinse pump
- ⊙ Constant pressure and temperature
- ⊙ Pumped liquid detergent and rinse agent
- ⊙ Automatic pumped drain

STANDARD FEATURES

- ⊙ Raises incoming water 59°F → 180°F hot water sanitizing
- ⊙ Variable time cycles (25~210 seconds)
- ⊙ Maximum rack capacity of 48 racks per hour at 140°F incoming water
- ⊙ Maximum rack capacity of 40 racks per hour at 59°F incoming water
- ⊙ Automatic water fill, automatic start/stop
- ⊙ 3 factory preset options (40/36/30 racks per hour, 90/100/120 seconds per cycle): 70 seconds powerful wash, 10 seconds dwell time, 10 second hot water rinse.
- ⊙ Stainless steel non-clogging wash and rinse impeller
- ⊙ 304L stainless steel for corrosion resistance
- ⊙ Easily removable, large capacity, one-piece strainer
- ⊙ Solid state, integrated LED display controls with status indicators
- ⊙ Low-noise and large output 1 Hp washing pump
- ⊙ Unique design rotating high pressure rinse impellers, both upper and lower, rinse nozzles are easily removable and interchangeable for cleaning and inspection
- ⊙ Factory installed vacuum breaker
- ⊙ Door actuated start
- ⊙ Service diagnostics
- ⊙ Listed on US Patent

OPTIONS Included

15A (1/2") water inlet hose / 5feet (1.5 m)

Drain outlet hose / 4 feet (1.2m)

Pin Rack

QTY

2

Common Rack

1



Specifications subjected to change without notice.

APPROVALS: ETL

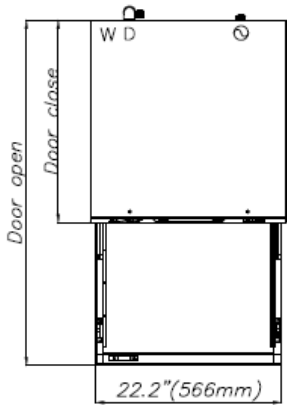
Ⓢ - Electrical supply connection
 (208-230 VOLT / 220V/1Ph/26.1 amp)
 (Comes with 6ft(1.8m) cord for direct connection)

W - Fresh water connection
 (10psi~40psi(0.7kg/cm²~2.8kg/cm²)
 (Optimum water pressure/ 15psi(1.0kg/cm²)
 (Spry water hardness 5 Grains)
 (Connect to 3/4" male screw)

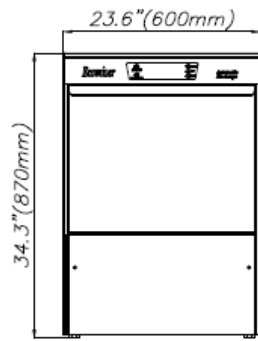
D - Drain hose connection
 (MAX HEIGHT 18.0"(457mm))

Legend

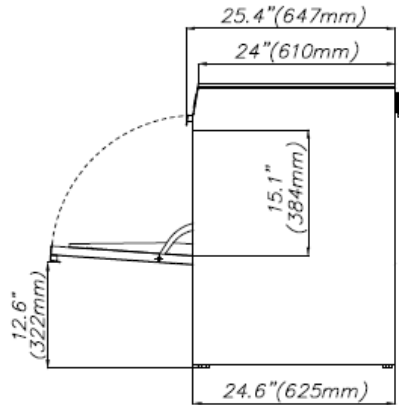
Deep	Door open	41.5"(1,053mm)
	Door close	25.4"(647mm)
Electric	A	32.5"(827mm)
	a	5.5"(140mm)
Water	B	14.7"(374mm)
	b	2.7"(70mm)
Drain	C	32.7"(832mm)
	c	4.6"(117mm)



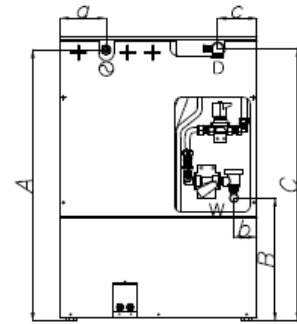
Top View



Front View



Side View



Rear View

Model	Capacity (Rack/H)	Cycle (sec)	Weight (lbs.)	W	D	H	Amp	Volts	Kw	Hz	PH	1 Cycle Water Consumption
SU-02	40	90	251	23.6	25.4	34.2	26	220	5.8	60	1	0.8gal (3.0L)

REMARK