

# Eco/miser DISHWASHER

PROJECT NAME:

LOCATION:

ITEM #:

Qty:

MODEL #

**SR-04**



### FEATURES OF PROGRAMMABLE CONTROLLER

- ⊙ Maximizes washing efficiency and provides a clean environment
- ⊙ Minimum required wash and rinse temperatures
- ⊙ Built-in electric heater (pre-heating 80 minutes) with powerful rinse pump
- ⊙ Constant pressure and temperature
- ⊙ Pumped liquid detergent and rinse agent
- ⊙ Automatic pumped drain

### STANDARD FEATURES

- ⊙ Raises incoming water 59°F → 180°F hot water sanitizing
- ⊙ Variable time cycles (25~210 seconds)
- ⊙ Maximum rack capacity of 55 racks per hour
- ⊙ Automatic water fill, automatic start/stop
- ⊙ 3 factory preset options (55/40/30 racks per hour, 65/90/120 seconds per cycle): 45 seconds powerful wash, 10 seconds dwell time, 10 second hot water rinse.
- ⊙ Stainless steel non-clogging wash and rinse impeller
- ⊙ Easy change hanging remote control panel
- ⊙ 304L stainless steel for corrosion resistance
- ⊙ Either straight-through or corner applications
- ⊙ Easily removable, large capacity, one-piece strainer
- ⊙ Solid state, integrated LED display controls with status indicators
- ⊙ Low-noise and large output 1 HP washing pump
- ⊙ Door coupled by stainless steel, spring counterbalanced handle. S.S. bearing guided for ease of operation and long life
- ⊙ Unique design rotating high pressure rinse impellers, both upper and lower, rinse nozzles are easily removable and interchangeable for cleaning and inspection
- ⊙ Factory installed vacuum breaker
- ⊙ Door actuated start
- ⊙ Service diagnostics
- ⊙ Listed on US Patent

### OPTIONS Included

15A (1/2") water inlet hose / 5feet (1.5 m)  
Drain outlet hose / 4 feet (1.2m)

Pin Rack

QTY

2

Common Rack

1



Specifications subjected to change without notice.

APPROVALS: ETL

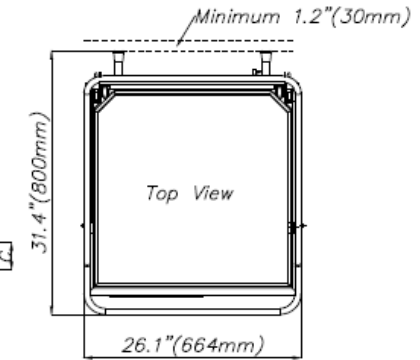
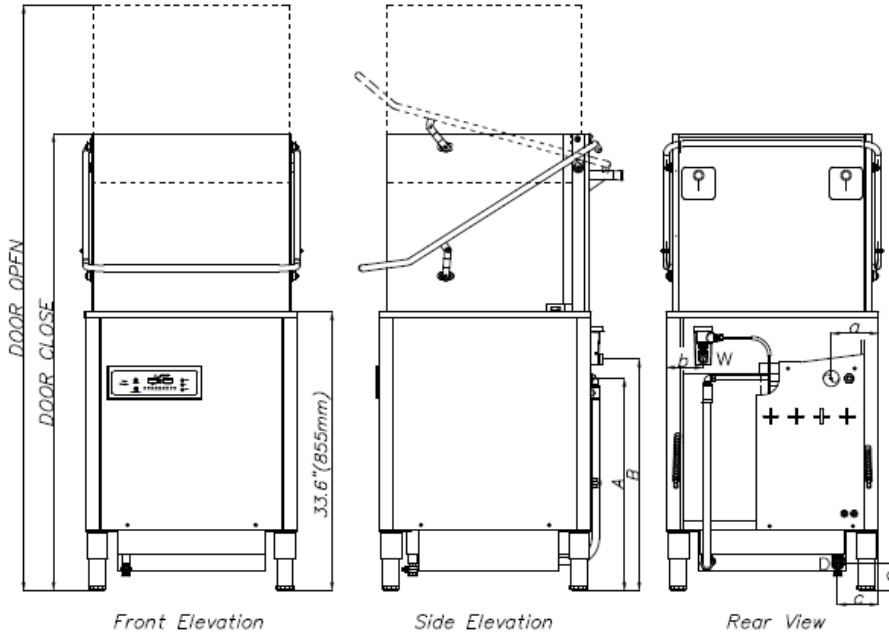
Legend

Height	Door open	71.1"(1,805mm)
	Door close	55.5"(1,410mm)
Electric	A	23.7"(603mm)
	a	8.2"(209mm)
Water	B	26.9"(682mm)
	b	6.6"(169mm)
Drain	C	4.0"(101mm)
	c	4.7"(120mm)

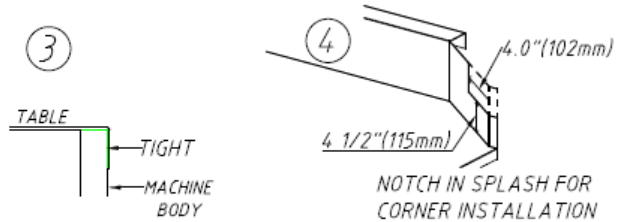
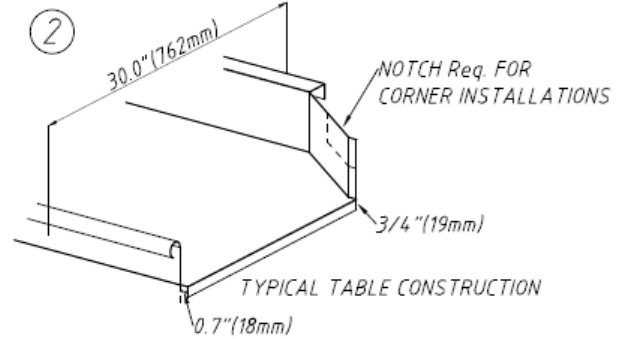
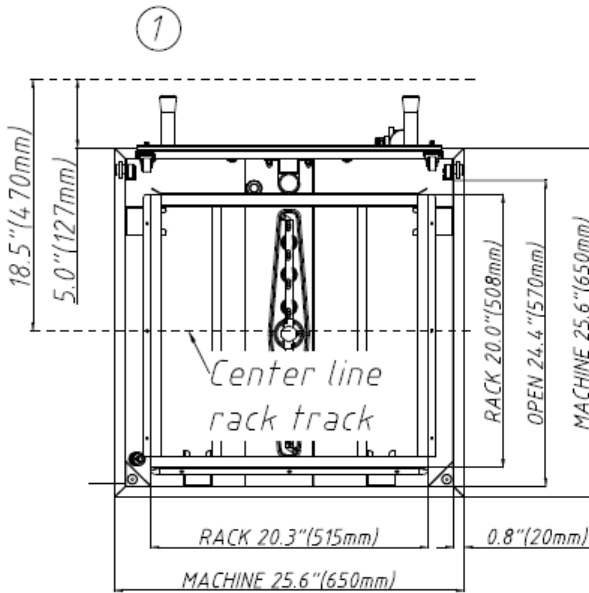
Ⓧ - Electrical supply connection  
SR-04 (208-230 VOLT / 220V/1Ph/23.8 amp)  
(Comes with 6ft(1.8m) cord for direct connection)

W - Hot water connection  
(10psi~40psi(0.7kg/cm2~2.8kg/cm2)  
(Optimum water pressure/ 15psi(1.0kg/cm2)  
(Spray water hardness 5 Grains)  
(Connect to 3/4" male screw)

D - Drain hose connection  
(MAX HEIGHT 18"(457mm)



CORNER INSTALLATION / Refer to ①, ②, ③, ④



Model	Capacity (Rack/H)	Cycle (sec)	Weight (lbs.)	W	D	H	Amp	Volts	Kw	Hz	PH	1 Cycle Water Consumption
SR-04	55	65	258	26.1	31.4	55.5	23.8	220	5.3	60	1	0.8gal (3.0L)