

Eco/miser DISHWASHER

PROJECT NAME:

LOCATION:

ITEM #:

Qty:

MODEL #

SR-02



FEATURES OF PROGRAMMABLE CONTROLLER

- ⦿ Maximizes washing efficiency and provides a clean environment
- ⦿ Meets all required wash and rinse temperatures
- ⦿ Built-in electric heater with powerful rinse pump
- ⦿ Constant pressure and temperature
- ⦿ Pumped liquid detergent and rinse agent
- ⦿ Automatic pumped drain

STANDARD FEATURES

- ⦿ Raises incoming water 140°F → 180°F hot water sanitizing
- ⦿ Variable time cycles (25~210 seconds)
- ⦿ Maximum rack capacity of 55 racks per hour
- ⦿ Automatic water fill, automatic start/stop
- ⦿ 3 factory preset options (55/40/30 racks per hour, 65/90/120 seconds per cycle): 45 seconds powerful wash, 10 seconds dwell time, 10 second hot water rinse.
- ⦿ Stainless steel non-clogging wash and rinse impeller
- ⦿ Removable panel for remote installation c/w 6' cord
- ⦿ 304L stainless steel for corrosion resistance
- ⦿ Either straight-through or corner applications
- ⦿ Easily removable, large capacity, one-piece strainer
- ⦿ Solid state, integrated LED display controls with status indicators
- ⦿ Low-noise and large output 1 HP washing pump
- ⦿ Door coupled by stainless steel, spring counterbalanced handle. S.S. bearing guided for ease of operation and long life
- ⦿ Unique design rotating high pressure rinse impellers, both upper and lower, rinse nozzles are easily removable and interchangeable for cleaning and inspection
- ⦿ Factory installed vacuum breaker
- ⦿ Door actuated start
- ⦿ Service diagnostics

OPTIONS Included

15A (1/2") water inlet hose / 5feet (1.5 m)
 Drain outlet hose / 4 feet (1.2m)

Pin Rack

QTY

2

Common Rack

1

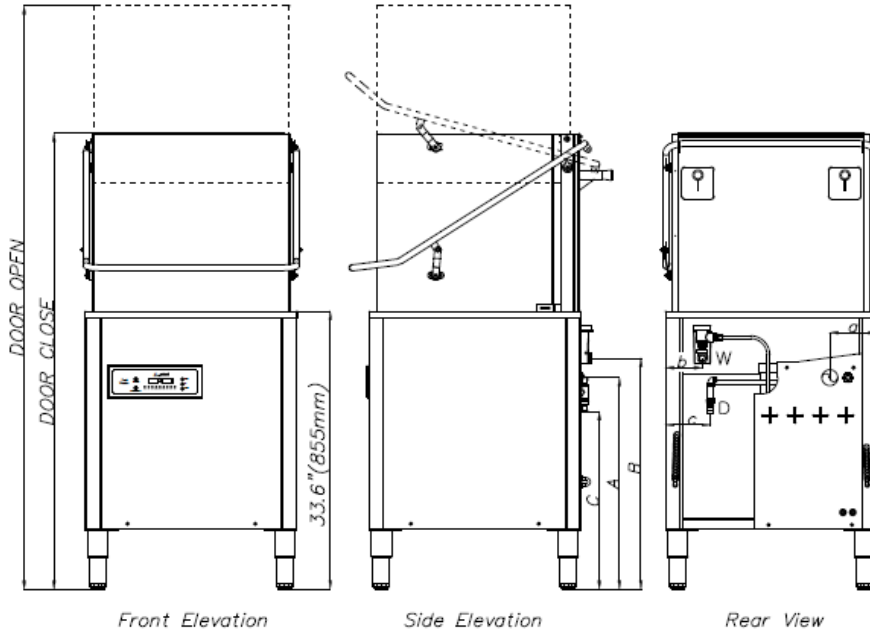


Specifications subjected to change without notice.

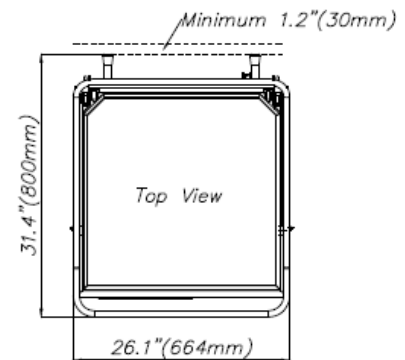
APPROVALS: ETL

Legend

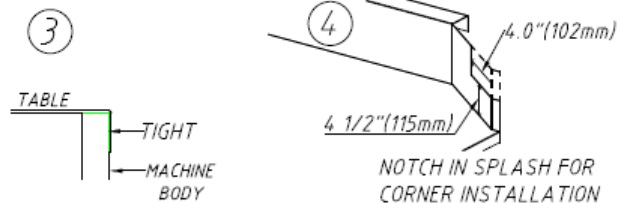
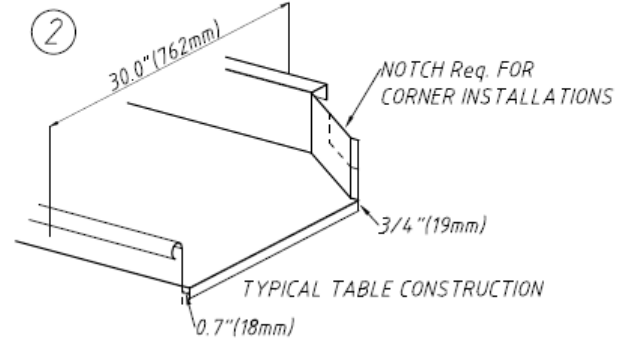
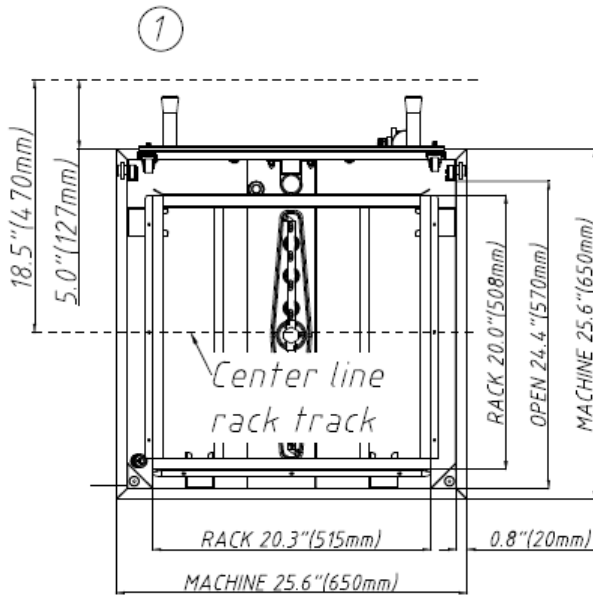
Height	Door open	71.1"(1,805mm)
	Door close	55.5"(1,410mm)
Electric	A	23.7"(603mm)
	a	8.2"(209mm)
Water	B	26.9"(682mm)
	b	6.6"(169mm)
Drain	C	25.2"(640mm)
	c	4.7"(120mm)



- Ⓧ-Electrical supply connection
SR-02 (208-230 VOLT / 220V/1Ph/23.8 amp)
(Comes with 6ft(1.8m) cord for direct connection)
- W-Hot water connection
(10psi~40psi(0.7kg/cm2~2.8kg/cm2)
(Optimum water pressure/ 15psi(1.0kg/cm2)
(Spray water hardness 5 Grains)
(Connect to 3/4" male screw)
- D-Drain hose connection
(MAX HEIGHT 18"(457mm)



CORNER INSTALLATION / Refer to ①, ②, ③, ④



Model	Capacity (Rack/H)	Cycle (sec)	Weight (lbs.)	W	D	H	Amp	Volts	Kw	Hz	PH	1 Cycle Water Consumption
SR02	55	65	225	26.1	31.4	55.5	23.8	220	5.3	60	1	0.8gal (3.0L)